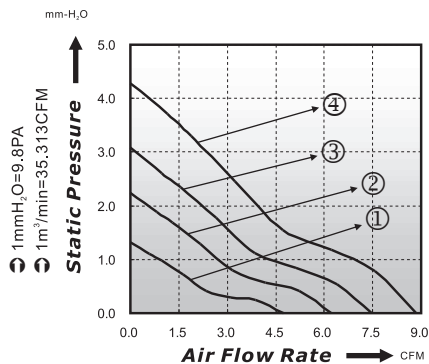


40x40x10mm

■ Type E

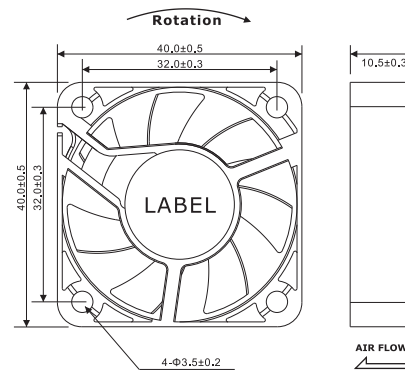


■ P-Q Curve (At Rated Voltage)



■ Dimensions Drawing

Unit: (mm)



Model No	Bearing (*)	Rated Voltage (VDC)	Rated Current (A)	Power Consumption (Watts)	Speed (rpm)	Air Flow (CFM)	Static Pressure (mmH ₂ O)	Noise (dBA)	Curve
PLA04010B12L	○▲●⊖	12	0.06	0.72	4000	4.75	1.32	20.3	1
PLA04010B12M	○▲●⊖	12	0.08	0.96	5000	6.22	2.24	23.6	2
PLA04010B12H	○▲●⊖	12	0.10	1.20	6000	7.47	3.09	26.7	3
PLA04010B12HH	○▲●⊖	12	0.12	1.44	7000	8.85	4.28	30.9	4

* Bearing Type: ○ Sleeve ▲ One Ball and One Sleeve ● Two Ball ⊖ Hydro-Dynamic