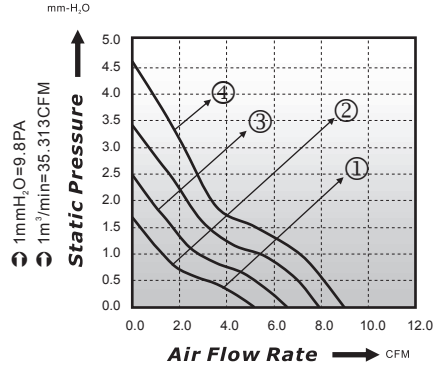


40x40x20mm

■ Type C

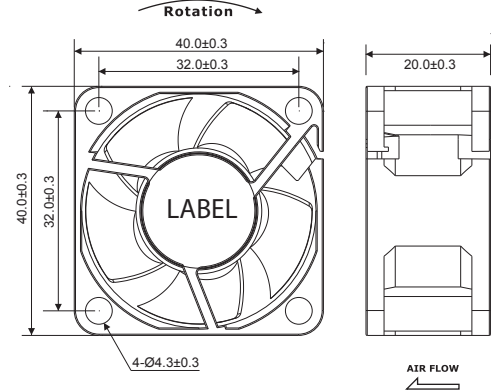


■ P-Q Curve (At Rated Voltage)



■ Dimensions Drawing

Unit: (mm)



Model No	Bearing (*)	Rated Voltage (VDC)	Rated Current (A)	Power Consumption (Watts)	Speed (rpm)	Air Flow (CFM)	Static Pressure (mmH ₂ O)	Noise (dBA)	Curve
PLA04020B12L	○▲●⊖	12	0.11	1.32	4000	5.15	1.68	19.5	1
PLA04020B12M	○▲●⊖	12	0.13	1.56	5000	6.52	2.48	22.0	2
PLA04020B12H	○▲●⊖	12	0.15	1.80	6000	7.89	3.41	26.3	3
PLA04020B12HH	○▲●⊖	12	0.18	2.16	7000	9.58	4.60	30.7	4

* Bearing Type: ○ Sleeve ▲ One Ball and One Sleeve ● Two Ball ⊖ Hydro-Dynamic