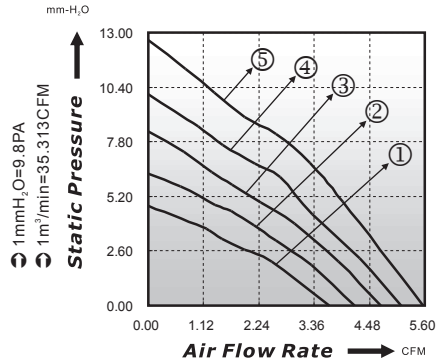


50x50x20mm

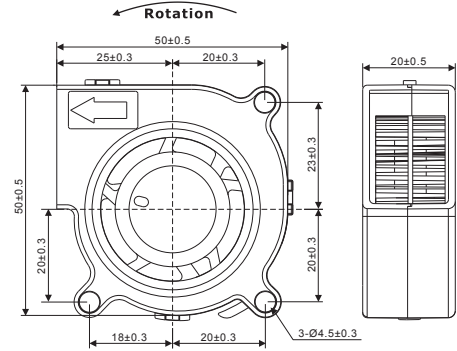


■ P-Q Curve (At Rated Voltage)



■ Dimensions Drawing

Unit: (mm)



Model No	Bearing (*)	Rated Voltage (VDC)	Rated Current (A)	Power Consumption (Watts)	Speed (rpm)	Air Flow (CFM)	Static Pressure (mmH ₂ O)	Noise (dBA)	Curve
PLB05020B12L	○●⊖	12	0.18	2.16	3700	3.672	4.73	27.6	1
PLB05020B12M	○●⊖	12	0.24	2.88	4100	4.179	6.26	29.7	2
PLB05020B12H	○●⊖	12	0.30	3.60	4500	4.713	8.28	32.5	3
PLB05020B12HH	○●⊖	12	0.34	4.08	4900	5.129	10.06	34.8	4
PLB05020B12VH	○●⊖	12	0.38	4.56	5300	5.571	12.62	37.2	5
PLB05020B24L	○●⊖	24	0.12	2.88	3700	3.672	4.73	27.6	1
PLB05020B24M	○●⊖	24	0.14	3.36	4100	4.179	6.26	29.7	2
PLB05020B24H	○●⊖	24	0.16	3.84	4500	4.713	8.28	32.5	3
PLB05020B24HH	○●⊖	24	0.18	4.32	4900	5.129	10.06	34.8	4
PLB05020B24VH	○●⊖	24	0.23	5.52	5300	5.571	12.62	37.2	5

* Bearing Type: ○ Sleeve ▲ One Ball and One Sleeve ● Two Ball ⊖ Hydro-Dynamic