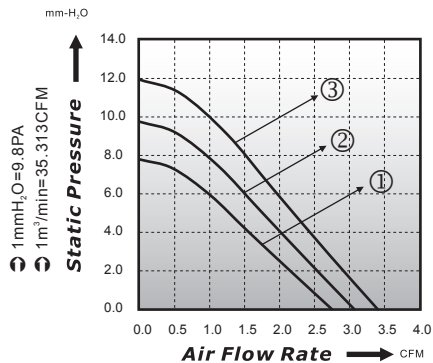


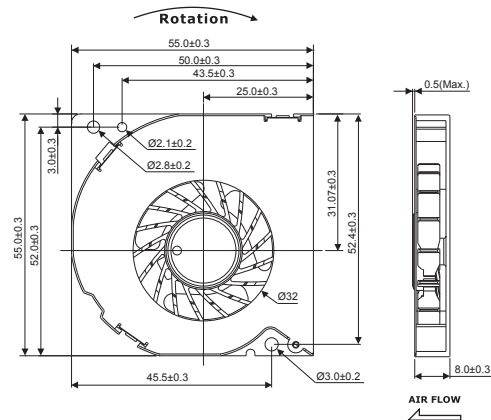
# 55x55x08mm

## ■ P-Q Curve (At Rated Voltage)



## ■ Dimensions Drawing

Unit: (mm)



Model No	Bearing (*)	Rated Voltage (VDC)	Rated Current (A)	Power Consumption (Watts)	Speed (rpm)	Air Flow (CFM)	Static Pressure (mmH <sub>2</sub> O)	Noise (dBA)	Curve
PLB05508B05L	○ ● ⊖	5	0.16	0.80	4200	2.75	7.79	23.8	1
PLB05508B05M	○ ● ⊖	5	0.25	1.25	4700	3.07	9.75	26.2	2
PLB05508B05H	○ ● ⊖	5	0.35	1.75	5200	3.40	11.94	28.6	3

\* Bearing Type: ○ Sleeve    ▲ One Ball and One Sleeve    ● Two Ball    ⊖ Hydro-Dynamic